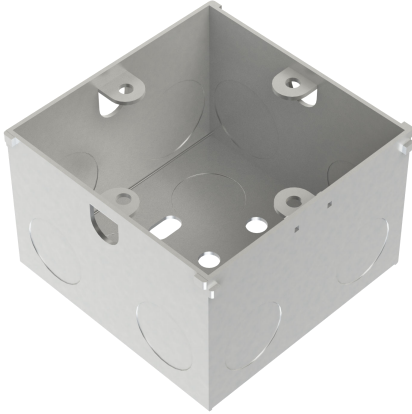


PRODUCT CODE: EWS7
SWITCH & SOCKET BOX



DESCRIPTION

47mm 1 Gang Switch & Socket Box

FINISH

Pre Galvanised

MATERIAL

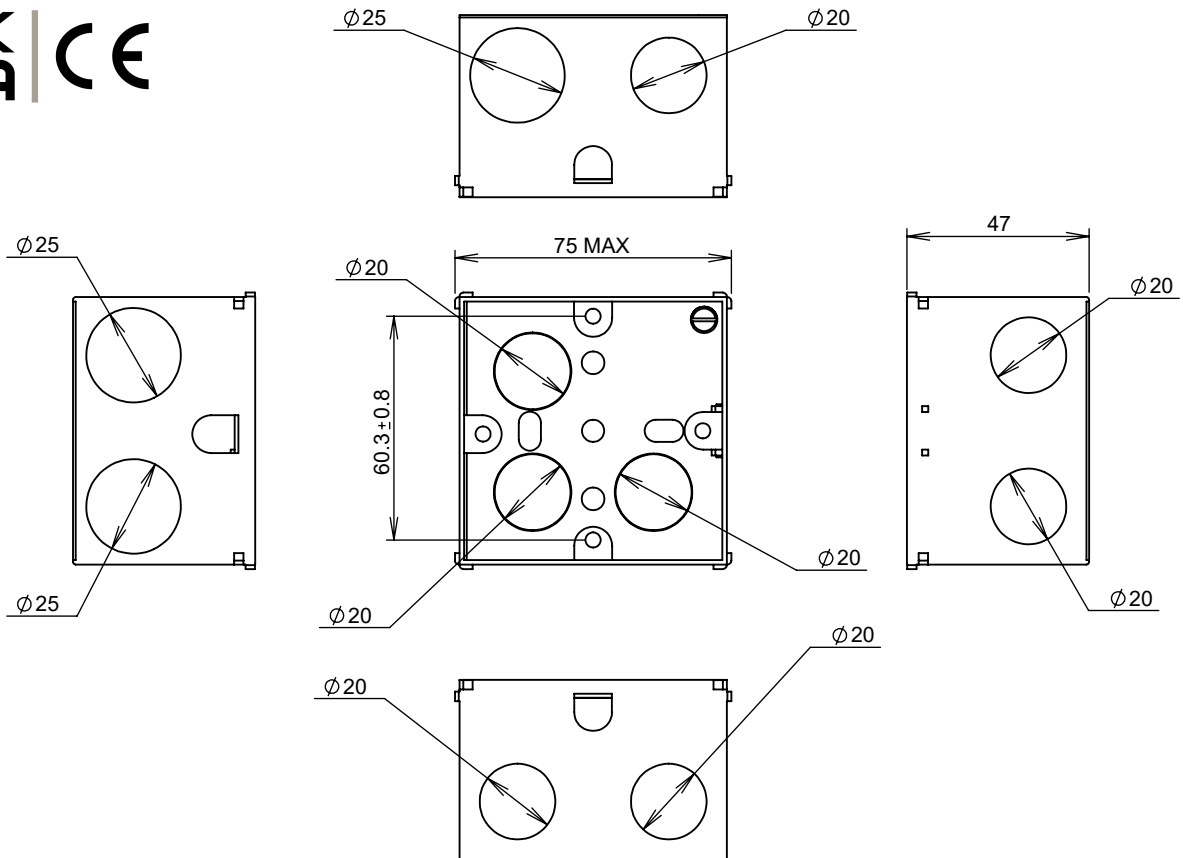
Sheet steel to comply with BS4662

PACKAGING

Packed in qty 10

ADDITIONAL NOTES

Comprises body and earth terminal with screw
3 fixed lugs and 1 adjustable lug, 20mm & 25mm Knockouts
Compliant to BS4662 & LU Standard 1-085 (for use on surface & sub-surface locations)



Values are nominal and with a general tolerance $\pm 5\%$ unless otherwise specified